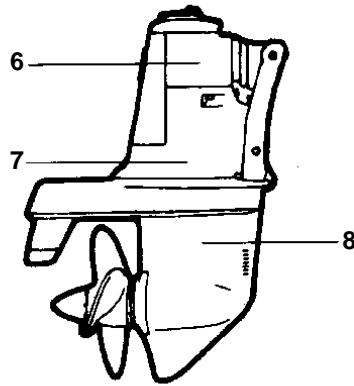
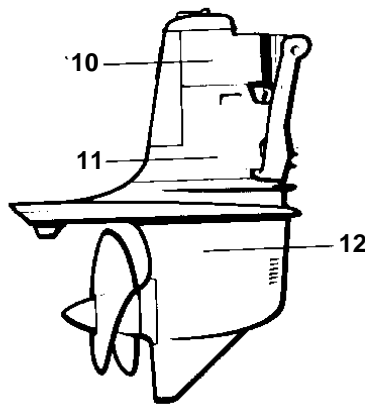


1



5



9

3440

REF	PART NO.	QTY	DESCRIPTION	SEE SEC.	NOTES
5		1			INCLUDED IN AQ DRIVE UNIT 850354, 850356., RATIO 1,61:1
		1			REPLACED BY 839390., RATIO 1,89:1
	832812	1	Drive		FOR PROPELLER WITH SHORT HUB., REPLACED BY 1EA 852161., RATIO 2,15:1
	850831	1	Drive		FOR PROPELLER WITH SHORT HUB., REPLACED BY 839359 + 875121., RATIO 2,15:1
	851316	1	Drive		RATIO 2,15:1
		1			REPLACED BY 839391., RATIO 1,61:1
		1	Drive		REPLACED BY 1EA 875425 1EA 839253 1EA 914538., RATIO 1,89:1
		1			REPLACED BY 1EA 897385 1EA 951077., RATIO 2,15:1
6		1	· UPPER GEAR UNIT	12912	
7		1	· INTERM HOUSING	12913	
		1	· INTERM HOUSING	12914	
8		1	· LOWER GEAR UNIT	12915	
	875192	1	Gasket kit		SEE GROUP 10